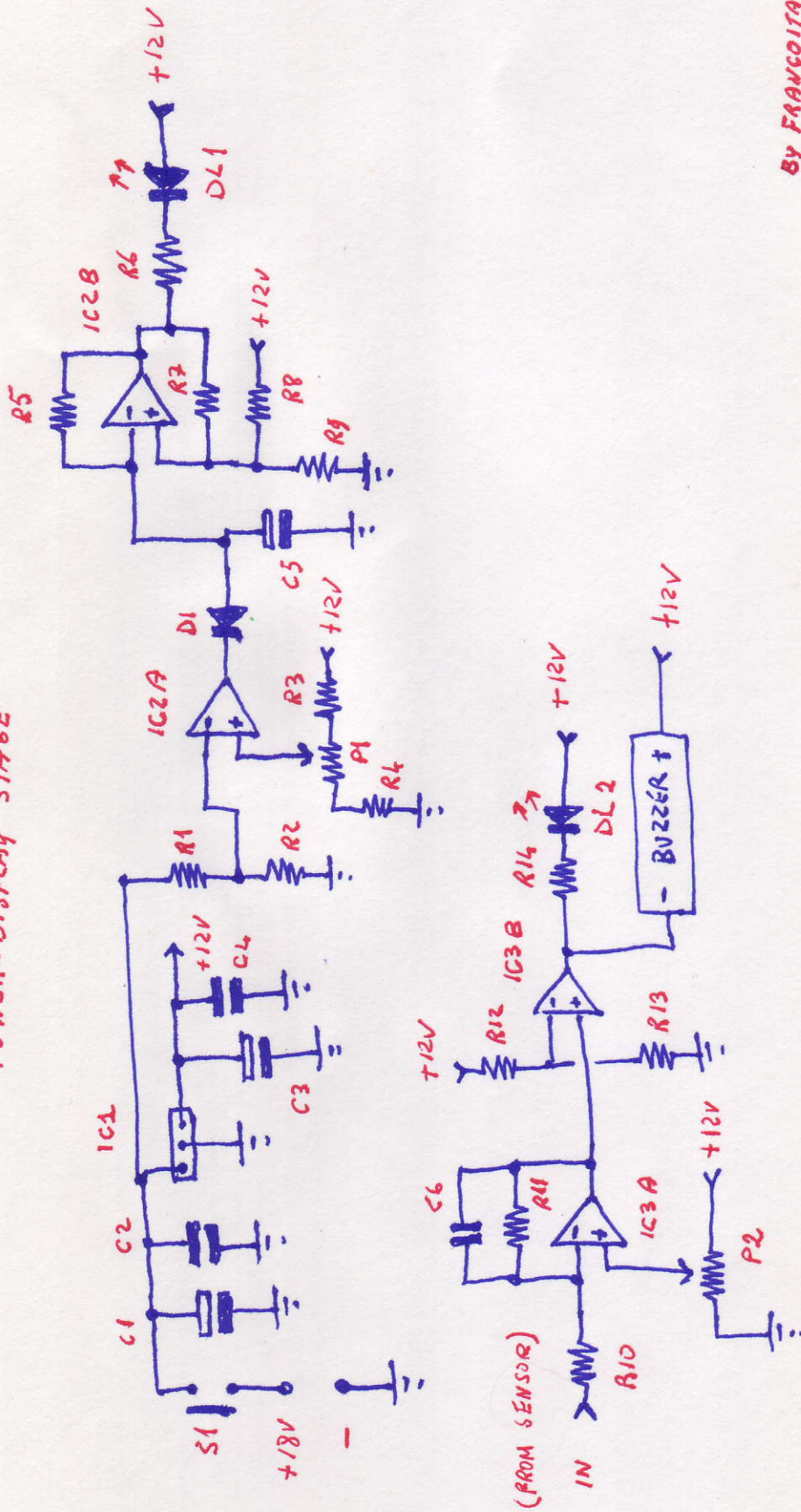


POWER-DISPLAY STAGE



BY FRANCOITALY

DL1 = RED LED  
DL2 = GREEN LED

- R1 = 33K
- R2 = 33K
- R3 = 10K
- R4 = 33K
- R5 = 100K
- R6 = 1K
- R7 = 100K
- R8 = 100K
- R9 = 100K
- R10 = 220K
- R11 = 680K
- R12 = 33K
- R13 = 33K
- R14 = 1K
- P1 = 10K TRIMMER
- P2 = 22K POT.
- C1 = 100µF - 35V
- C2 = 100µF
- C3 = 100µF 25V
- C4 = 100µF
- C5 = 3,3µF 25V
- C6 = 1µF
- IC1 = 74412
- IC2 = LM358
- IC3 = LM358
- D1 = 1N4148