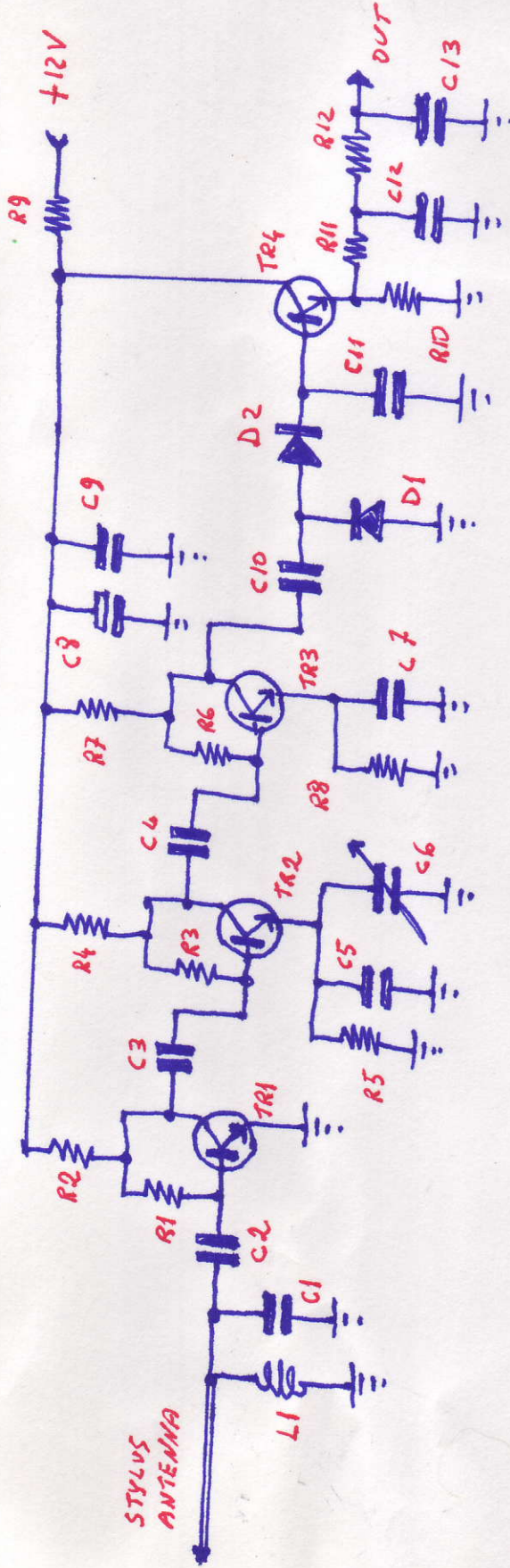


SENSOR STAGE



BY FRANCOITALY

- | | | | |
|------------|-------------|-------------|--------------|
| R1 = 1M | R7 = 4.7 K | C1 = 22 PF | C7 = 560 PF |
| R2 = 6.8 K | R8 = 1 K | C2 = 560 PF | C8 = 100 uF |
| R3 = 1M | R9 = 330 Ω | C3 = 22 mF | C9 = 100 mF |
| R4 = 4.7 K | R10 = 4.7 K | C4 = 22 mF | C10 = 33 mF |
| R5 = 1 K | R11 = 2.2 K | C5 = 390 PF | C11 = 33 mF |
| R6 = 1M | R12 = 2.2 K | C6 = 100 PF | C12 = 3.3 mF |
- TR1 = TR2 = TR3 = TR4 = BC183 C - BC239 C
 D1 = D2 = 1N448 P
 L1 = 3 TURNS · AIR CORE

